

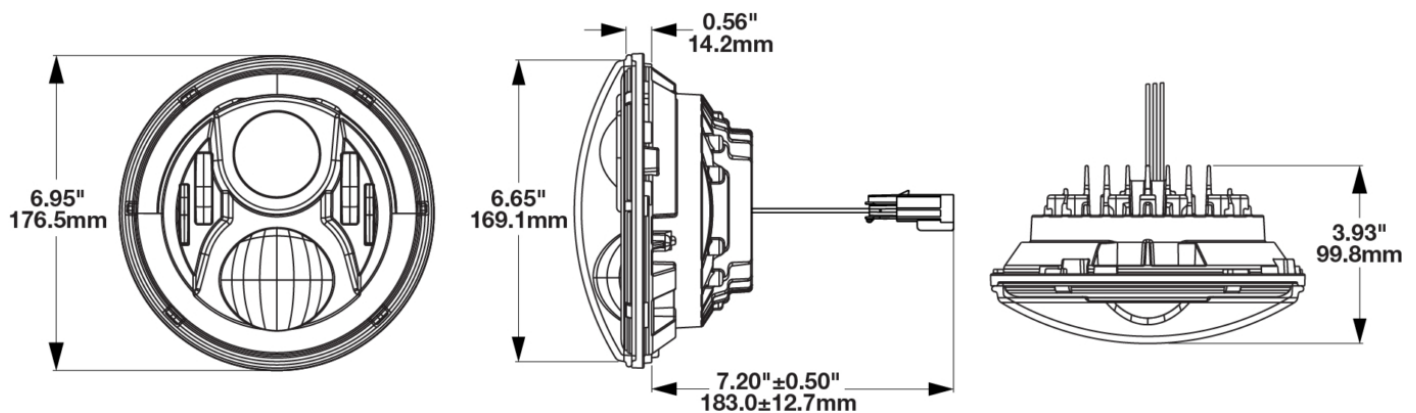
LED Headlights - Model 8700 Evolution J2 Series

PRODUCT INFORMATION

Description	12V DOT LED High & Low Beam Headlights with Carbon Fiber Bezel - 2 Light Kit
Height	176.53 mm / 6.95 in
Width	176.53 mm / 6.95 in
Depth	99.82 mm / 3.93 in
Shape	Round
Outer Lens Material	Polycarbonate
Outer Lens Color	Clear
Housing Material	Die-Cast Aluminum
Housing Color	Gray
Bezel Color	Black Carbon Fiber
Retrofits	7" Round Headlights or 2D1 PAR56
Minimum Operating Temperature	-40 °C / -40 °F
Maximum Operating Temperature	65 °C / 149 °F
Connector or Wiring	H13 Delphi 15326813
Product Weight	4.75 lbs / 2.15 kgs
Shipping Weight	6.55 lbs / 2.97 kgs



PRODUCT DIMENSIONS



Print date: 2024-08-11

© 2024 J.W. Speaker Corporation • Germantown, WI U.S.A.
 www.jwspeaker.com • speaker@jwspeaker.com • 262.251.6660

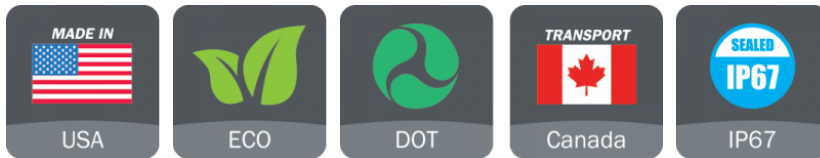
J.W. SPEAKER
 Engineered. Lighting. Solutions.

LED Headlights - Model 8700 Evolution J2 Series

ELECTRICAL SPECIFICATIONS

Input Voltage	12V DC
Operating Voltage	9-16V DC
Transient Spike Protection	150V Peak @ 1 HZ-100 Pulses
Black Wire	Ground
White Wire	High Beam
Yellow Wire	Low Beam
Current Draw	4.20A @ 12V DC (High Beam) 2.00A @ 12V DC (Low Beam)

REGULATORY STANDARDS COMPLIANCE



Buy America Standards
FMVSS 108 s10.1 (Table XIX)
IEC IP67

Eco Friendly
FMVSS 108 s10.1 (Table XVIII)

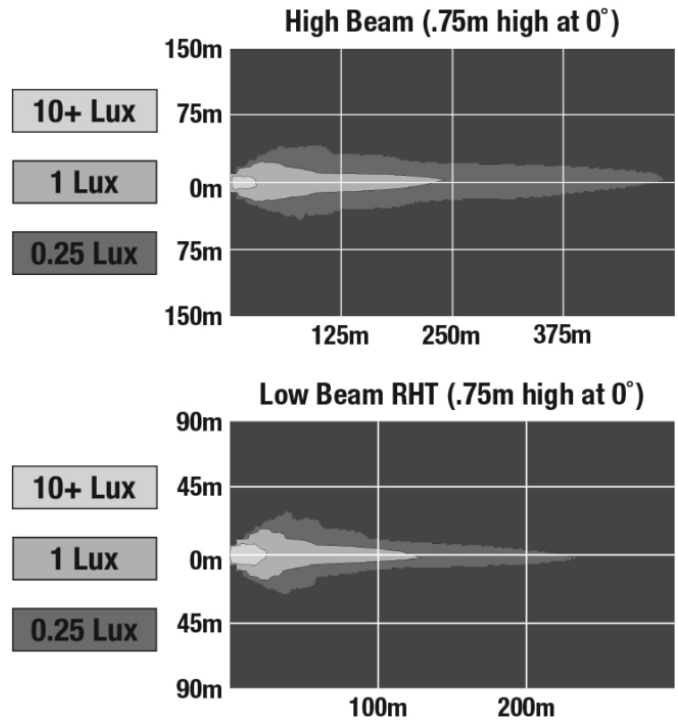
Print date: 2024-08-11

© 2024 J.W. Speaker Corporation • Germantown, WI U.S.A.
www.jwspeaker.com • speaker@jwspeaker.com • 262.251.6660

LED Headlights - Model 8700 Evolution J2 Series

PHOTOMETRIC SPECIFICATIONS

Raw Lumen Output	3,200 (High Beam); 1,770 (Low Beam)
Effective Lumen Output	1,260 (High Beam); 750 (Low Beam)
Candela Output	71,500 (High Beam); 35,003 (Low Beam)
Nominal LED Color Temperature	5000 K
Beam Pattern(s)	Forward Lighting - High Beam (DOT) Forward Lighting - Low Beam (DOT)



APPLICATIONS



Print date: 2024-08-11

© 2024 J.W. Speaker Corporation • Germantown, WI U.S.A.
www.jwspeaker.com • speaker@jwspeaker.com • 262.251.6660

LED Headlights - Model 8700 Evolution J2 Series

INSTALLATION & APPLICATION INFORMATION

The Model 8700 Evolution J2 Series is intended for use on 2007+ Jeep Wranglers & Jeep Wrangler Unlimited.

Depending on your 2017 Jeep Model, you may need mounting rings to install Model 8700 Evolution J2 LED headlight upgrades. Refer to the table below:

Jeep Model	Type of Standard Lights	J.W. Speaker Mounting Ring Kit Required for LED Upgrades
Chief	LED	Yes
Rubicon	LED	Yes
Rubicon Hard Rock	LED	Yes
Rubicon Recon	LED	Yes
Sahara	LED	Yes
Smoky Mountain	LED	Yes
Winter	LED	Yes
75th Anniversary Edition	LED	Yes (No, if equipped with halogen)
Big Bear	Halogen	No
Freedom Edition	Halogen	No
Sport	Halogen	No
Sport S	Halogen	No
Willys Wheeler	Halogen	No

ADDITIONAL INFORMATION

This light has been updated with Dual Burn™ high beam optics.

This technology combines your high and low beam when turning on your high beam, providing the driver with both widespread visibility along with a powerful punch of light down the road.



LOW BEAM



STANDARD
HIGH BEAM



DUAL BURN™
HIGH BEAM

Print date: 2024-08-11

© 2024 J.W. Speaker Corporation • Germantown, WI U.S.A.
www.jwspeaker.com • speaker@jwspeaker.com • 262.251.6660

J.W. SPEAKER
Engineered. Lighting. Solutions.

LED Headlights - Model 8700 Evolution J2 Series

PRODUCT WARNINGS

For California residents:

⚠ **WARNING:** Cancer and reproductive harm - www.P65Warnings.ca.gov.

⚠ **AVERTISSEMENT:** Cancer et effet nocif sur la reproduction - www.P65Warnings.ca.gov.

ACCESSORIES



Part Number
5868171

Single Mounting Ring
(Right Hand Side) for
2017 Jeeps 7" Round
Headlights



Part Number
5868181

Single Mounting Ring
(Left Hand Side) for
2017 Jeeps 7" Round
Headlights



Part Number
8200693

8700 Evolution J2
Mounting Kit for Jeep
JL



Part Number
8200461

Mounting Ring Kit for
2017-18 Jeep JK 7"
Round Headlights

RELATED PRODUCTS



Part Number
0553983

12V ECE RHT LED High
& Low Beam
Headlights with FP,
DRL, & Carbon Fiber
Bezel - 2 Light Kit



Part Number
0553993

12V ECE LHT LED High
& Low Beam
Headlights with FP,
DRL, & Carbon Fiber
Bezel - 2 Light Kit



Part Number
0554543

12V DOT LED High &
Low Beam Headlights
with Black Bezel - 2
Light Kit



Part Number
0554553

12V ECE RHT LED High
& Low Beam
Headlights with FP,
DRL, & Black Bezel - 2
Light Kit



Part Number
0554563

12V ECE LHT LED High
& Low Beam
Headlights with FP,
DRL, & Black Bezel - 2
Light Kit

Print date: 2024-08-11

© 2024 J.W. Speaker Corporation • Germantown, WI U.S.A.
www.jwspeaker.com • speaker@jwspeaker.com • 262.251.6660